

Title Motor Drive			
Size: A4	Number: 1	Revision: V1	
Date: 24/07/2021	Time: 10:55:10	Sheet 1 of 5	

1

2

3

4

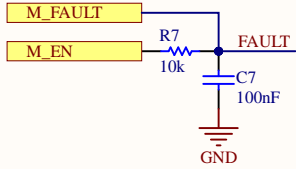
1

2

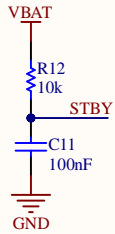
3

4

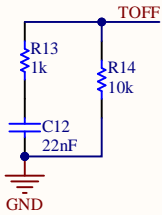
Protections Management



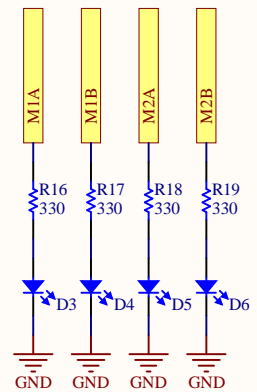
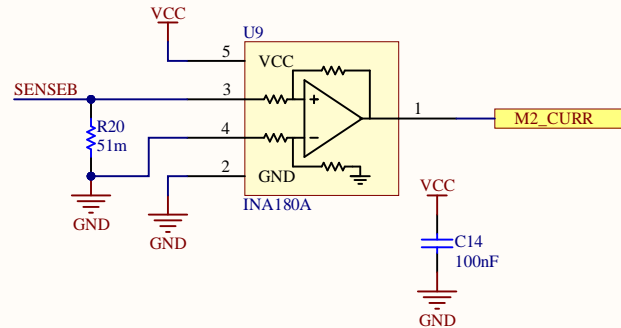
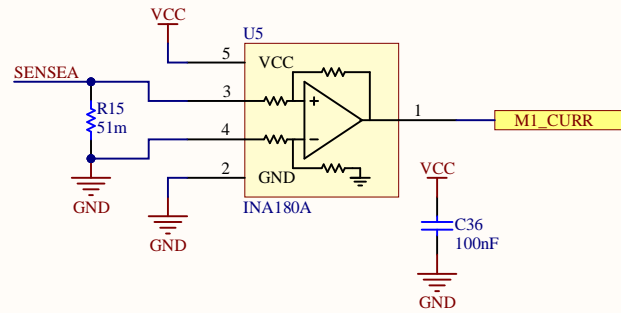
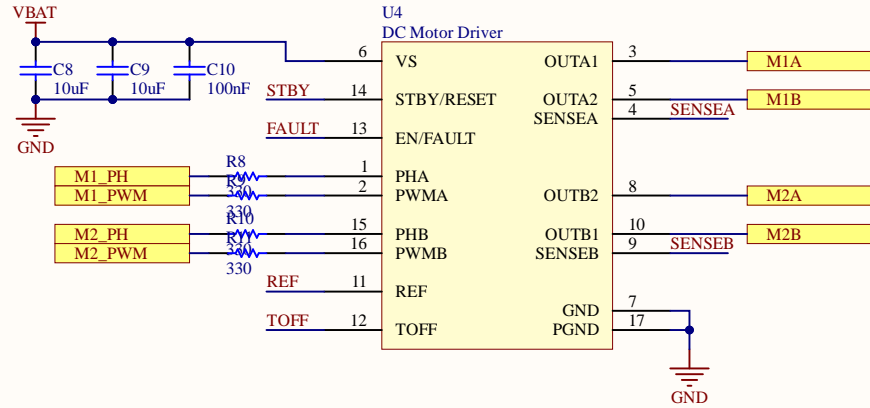
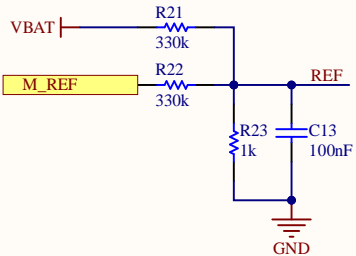
Standby



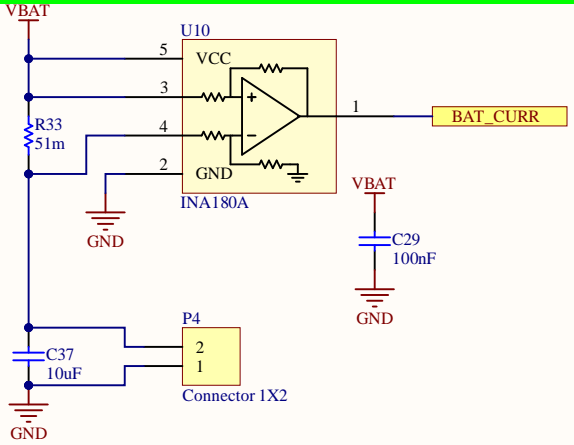
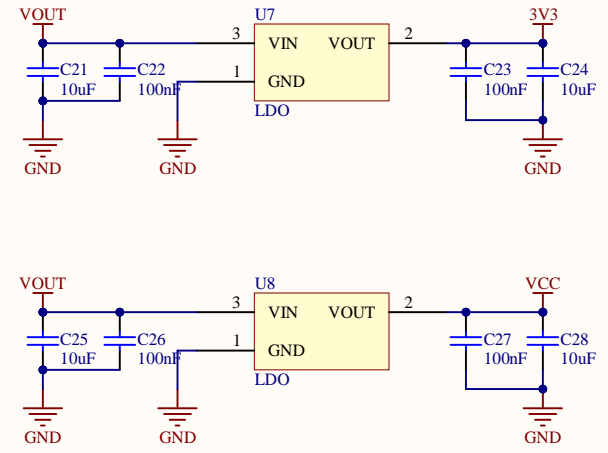
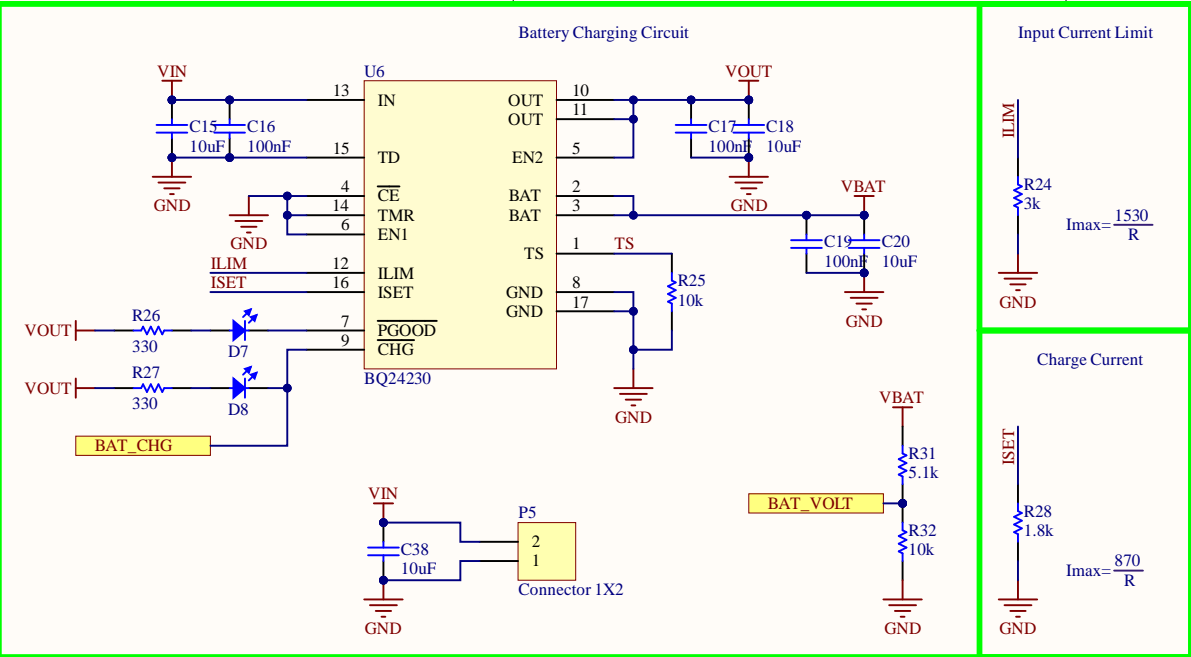
Setting OFF Time




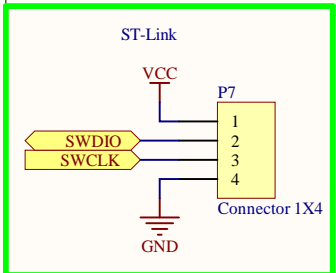
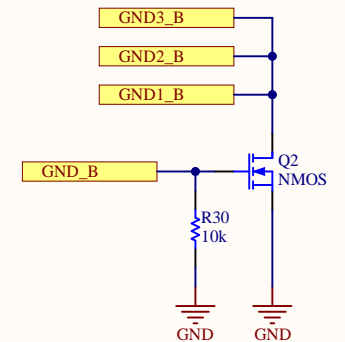
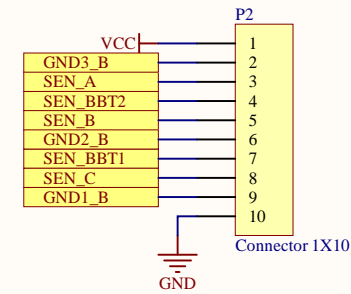
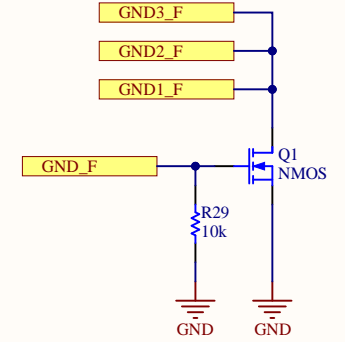
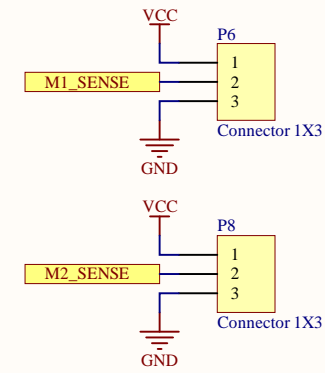
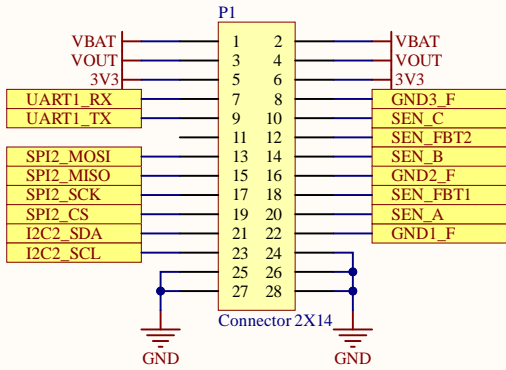
PWM Current Control



Title Motor Drive			
Size: A4	Number: 2	Revision: V1	
Date: 24/07/2021	Time: 10:55:11	Sheet 2 of 5	



Title Motor Drive			
Size: A4	Number: 3	Revision: V1	
Date: 24/07/2021	Time: 10:55:11	Sheet 3 of 5	



Title Motor Drive		
Size: A4	Number: 4	Revision: V1
Date: 24/07/2021	Time: 10:55:11	Sheet 4 of 5



1

2

3

4

A

A

B

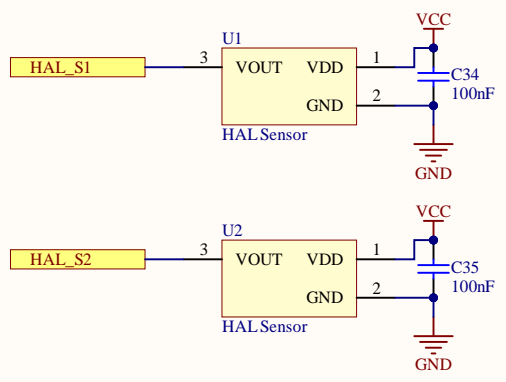
B


C

C

D

D



Title Motor Drive			
Size: A4	Number: 5	Revision: V1	
Date: 24/07/2021	Time: 10:55:11	Sheet 5 of 5	

1

2

3

4