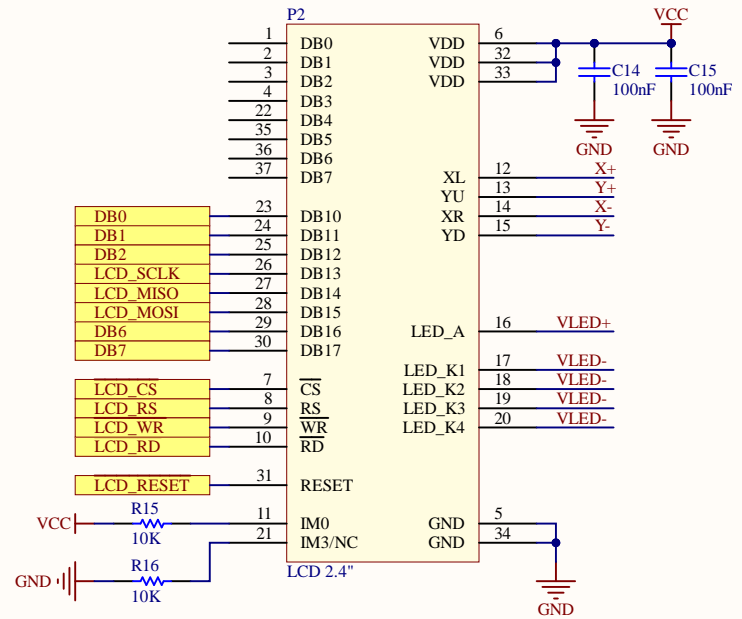
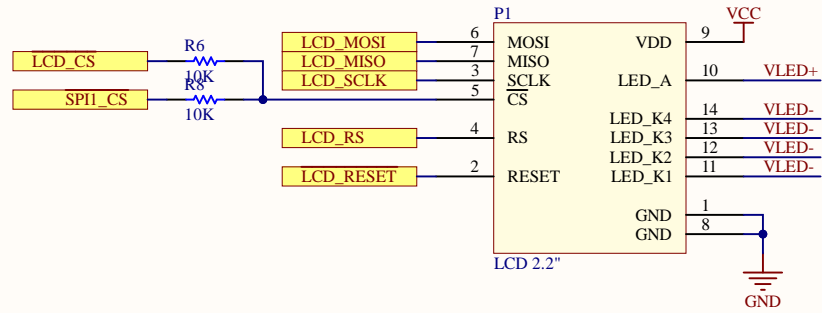
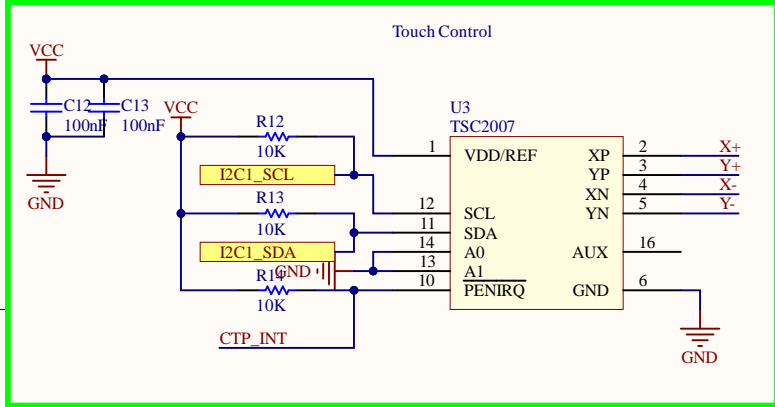
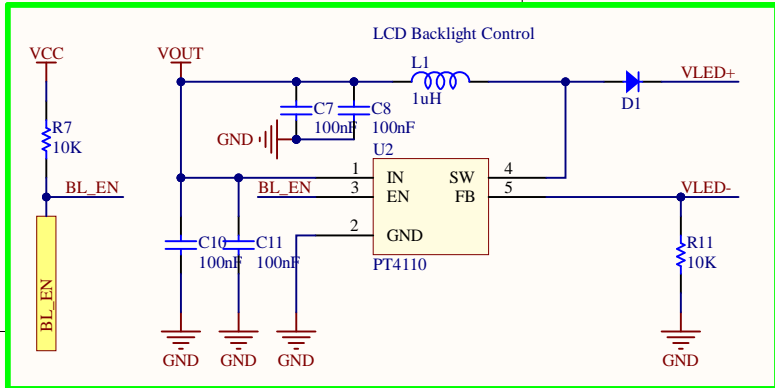


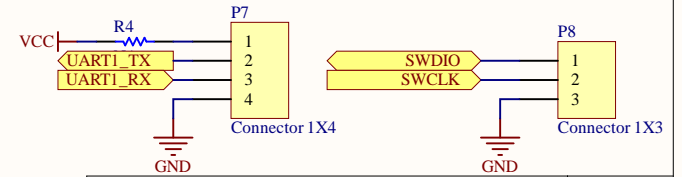
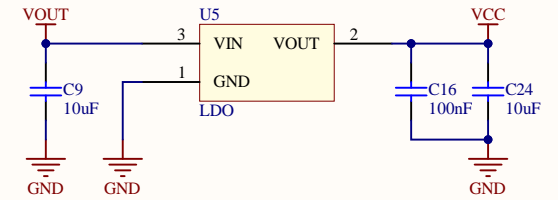
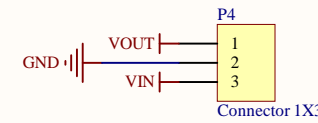
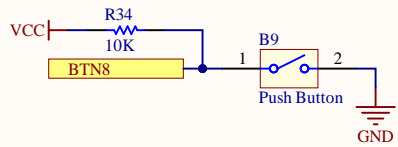
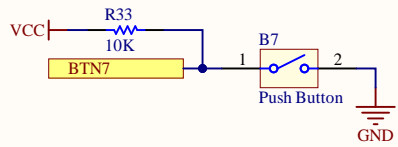
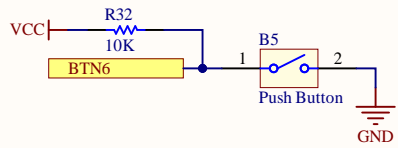
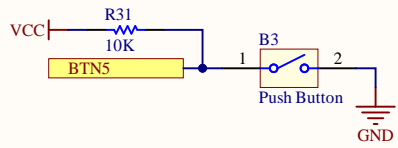
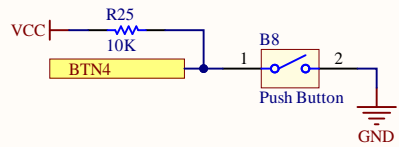
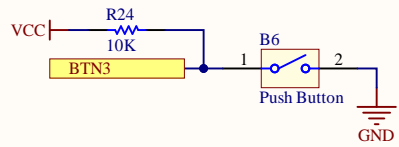
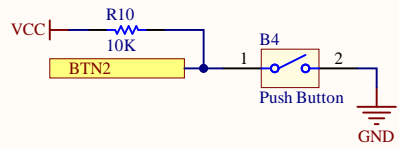
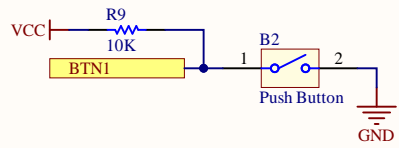
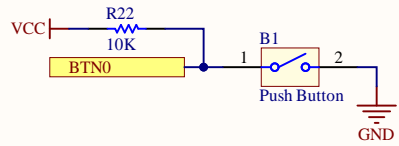
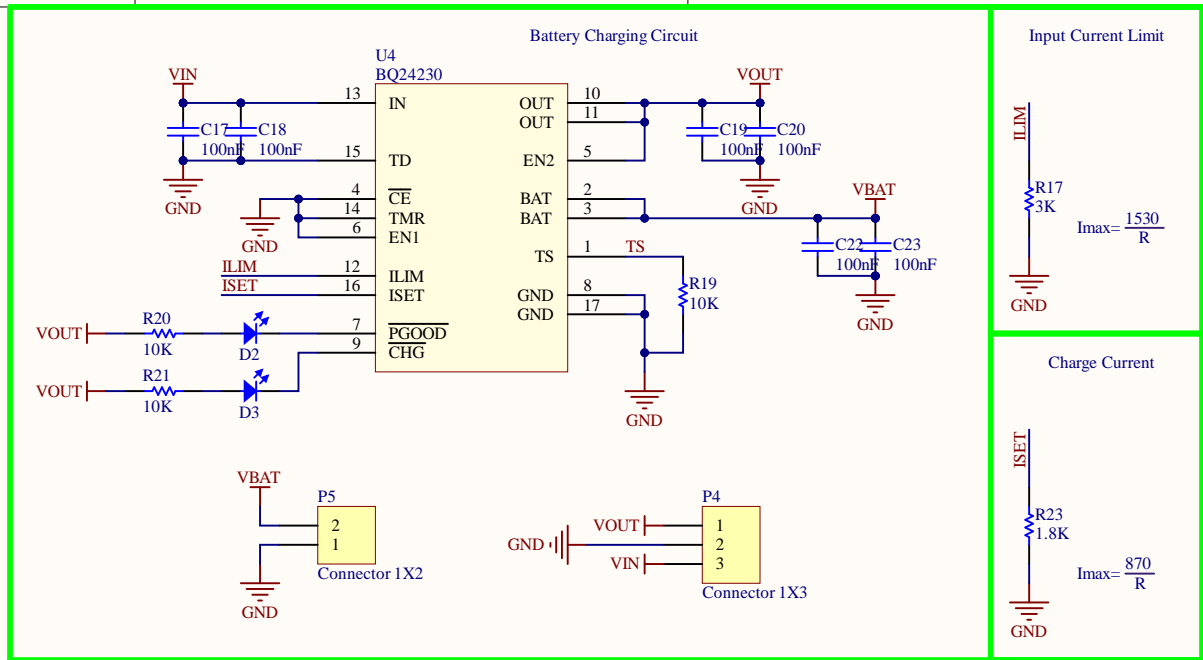
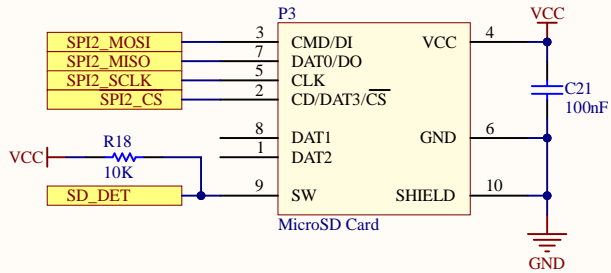
Title Radio Interface		
Size: A4	Number: 1	Revision: V1
Date: 13/10/2020	Time: 20:19:45	Sheet 1 of 3






Title Radio Interface		
Size: A4	Number: 2	Revision: V1
Date: 13/10/2020	Time: 20:19:45	Sheet 2 of 3





Title Radio Interface			
Size: A4	Number: 3	Revision: V1	
Date: 13/10/2020	Time: 20:19:45	Sheet 3 of 3	