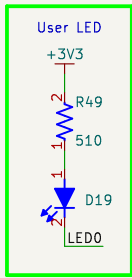
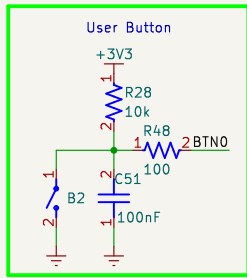
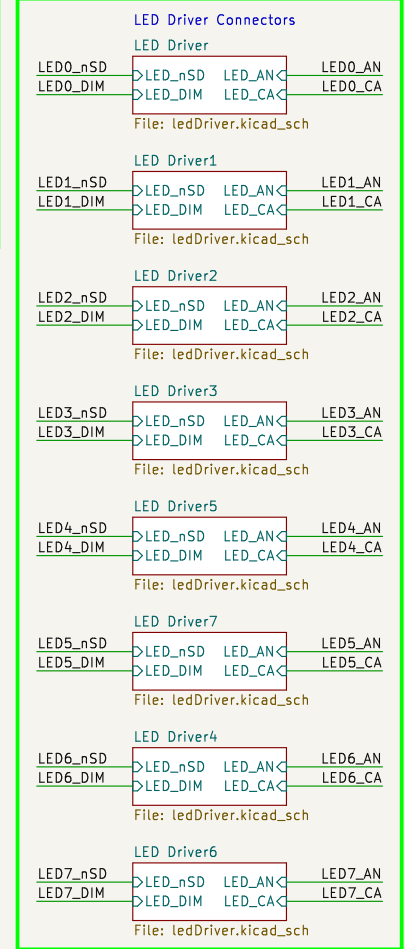


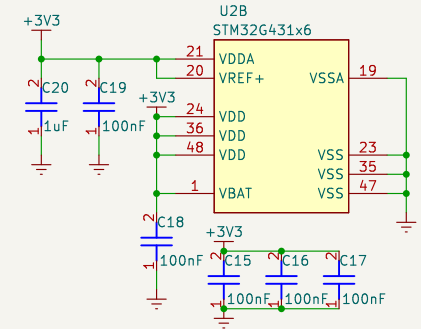
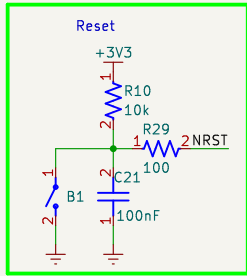
LED Driver Connector

		P26					
LED0_DIM	1	1	2	2	LED0_nSD		
LED1_DIM	3	3	4	4	LED1_nSD		
LED2_DIM	5	5	6	6	LED2_nSD		
LED3_DIM	7	7	8	8	LED3_nSD		
LED4_DIM	9	9	10	10	LED4_nSD		
LED5_DIM	11	11	12	12	LED5_nSD		
LED6_DIM	13	13	14	14	LED6_nSD		
LED7_DIM	15	15	16	16	LED7_nSD		

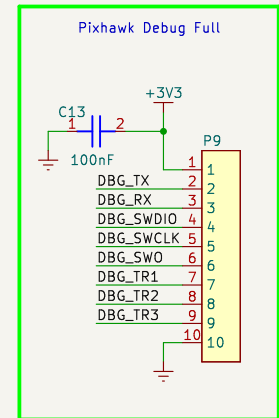
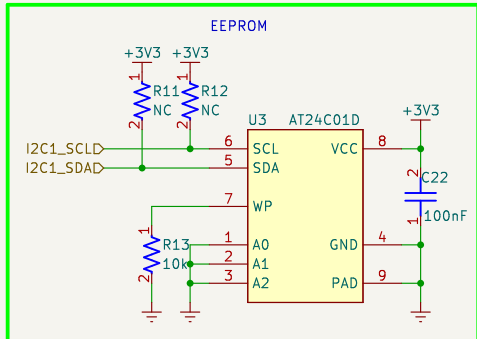
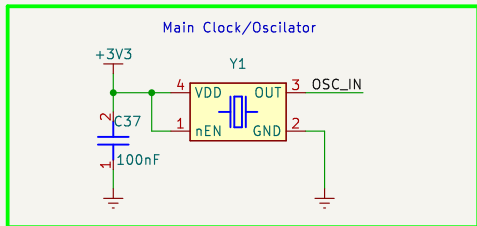


LED Panel Connector

		P3					
LED0_CA	1	1	2	2	LED0_AN		
LED1_CA	3	3	4	4	LED1_AN		
LED2_CA	5	5	6	6	LED2_AN		
LED3_CA	7	7	8	8	LED3_AN		
LED4_CA	9	9	10	10	LED4_AN		
LED5_CA	11	11	12	12	LED5_AN		
LED6_CA	13	13	14	14	LED6_AN		
LED7_CA	15	15	16	16	LED7_AN		

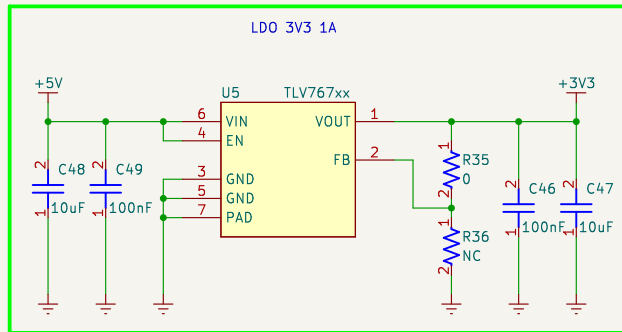
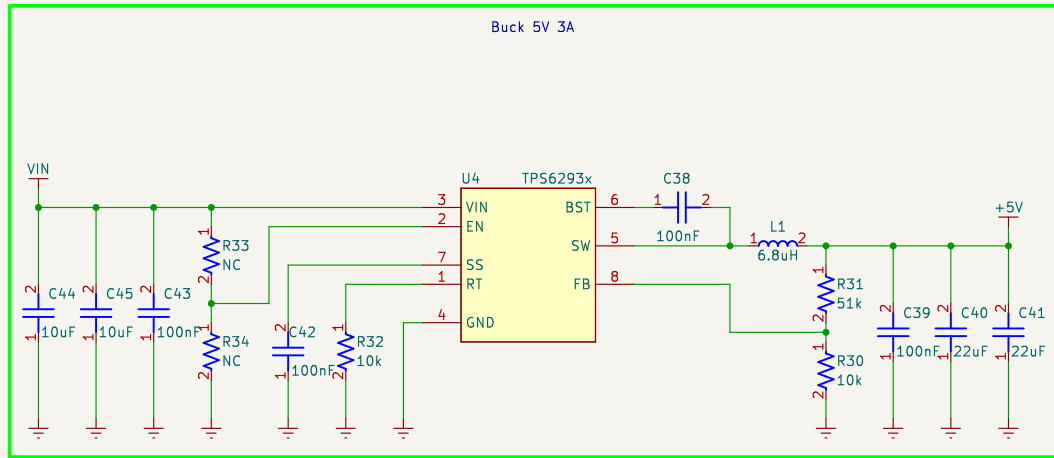
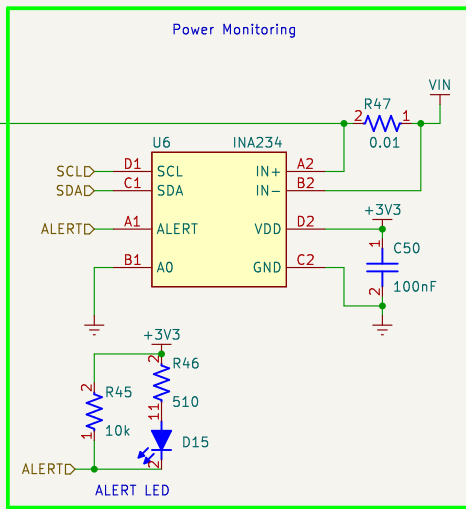
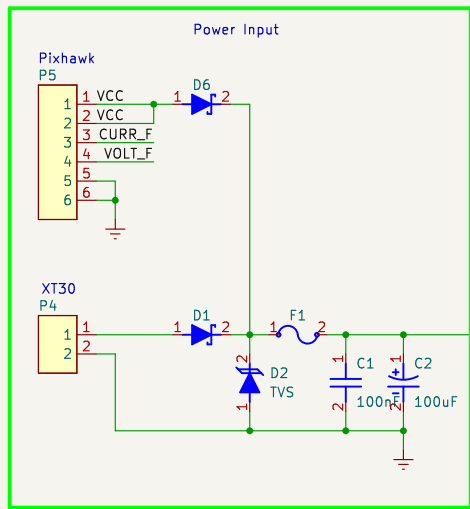


U2A		STM32G431x6	
USART2_CTS	8	PA0	PB0
USART2_RTS	9	PA1	PB1
USART2_TXD	10	PA2	PB2
USART2_RXD	11	PA3	PB3/JTDO
TIM3_CH2D	12	PA4	PB4/JTRST
TIM2_CH1D	13	PA5	PB5
TIM3_CH1D	14	PA6	PB6
GPIO_7D	15	PA7	PB7
TIM4_ETR	30	PA8	PB8/B00T0
DBG_TX	31	PA9	PB9
DBG_RX	32	PA10	PB10
USB_DMD	33	PA11	PB11
USB_DPD	34	PA12	PB12
DBG_SWDIO	37	PA13/JTMS/SWDIO	PB13
DBG_SWCLK	38	PA14/JTCK/SWCLK	PB14
I2C1_SCL	39	PA15/JTDI	PB15
NRST	7	PG10/NRST	
		PC13	
		PC14/OSC32_IN	
		PC15/OSC32_OUT	
		PF0/OSC_IN	
		PF1/OSC_OUT	



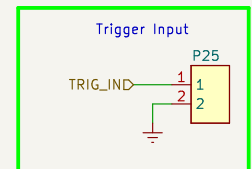
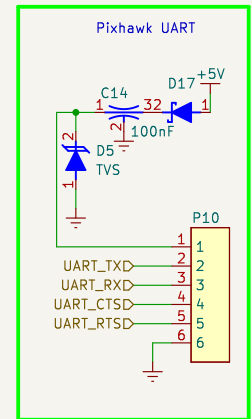
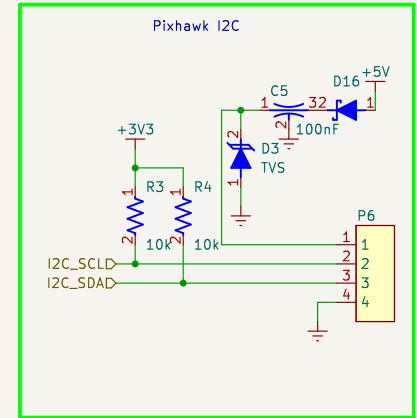
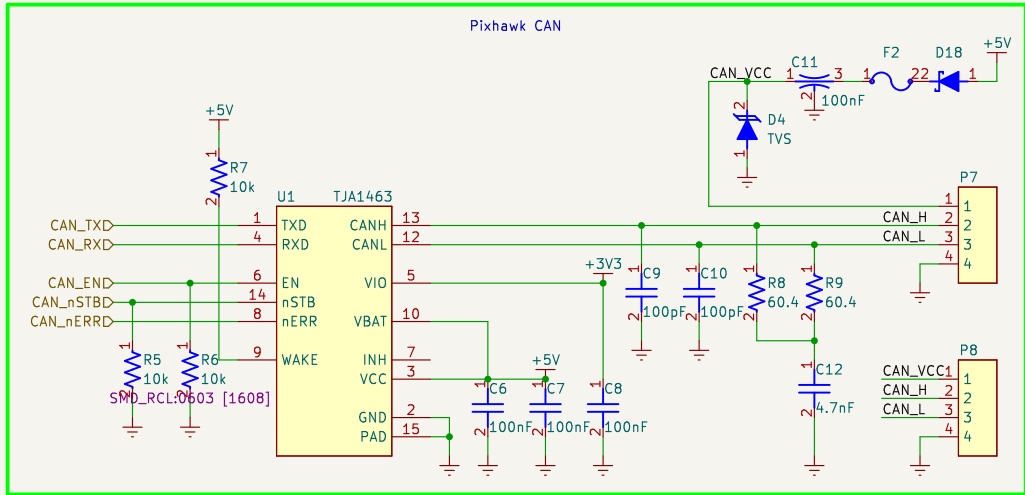
Title:		
Rev:	Sheet: A4	Sheet: 2/12
Date:	File: mcu.kicad_sch	





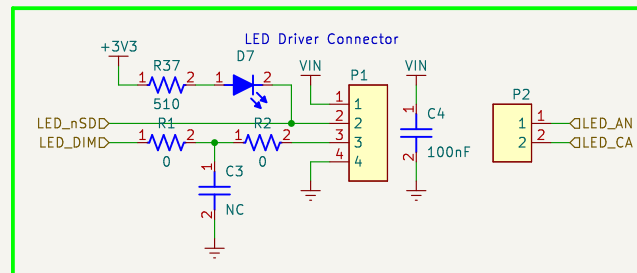
Title:		
Rev:	Sheet: A4	Sheet: 3/12
Date:	File: power.kicad_sch	





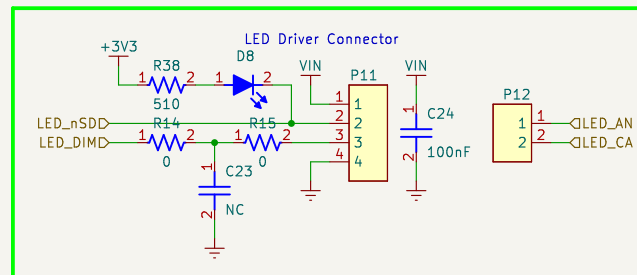
Title:		
Rev: A	Sheet: A4	Sheet: 4/12
Date: 2024-03-05	File: interfaces.kicad_sch	





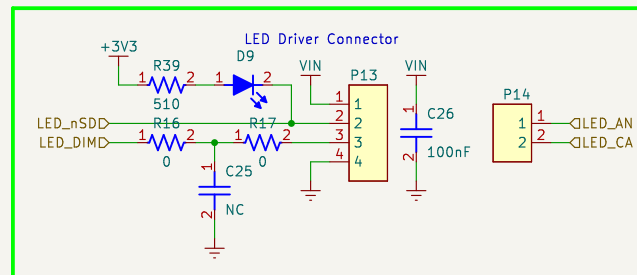
Title:		
Rev:	Sheet: A4	Sheet: 5/12
Date:	File: ledDriver.kicad_sch	





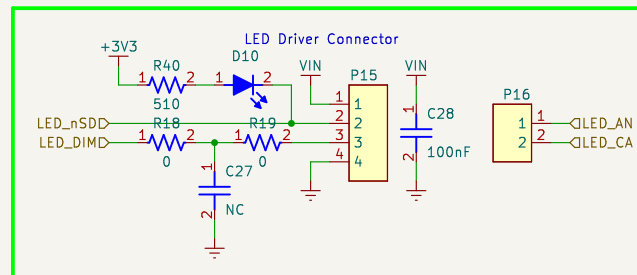
Title:		
Rev:	Sheet: A4	Sheet: 6/12
Date:	File: ledDriver.kicad_sch	





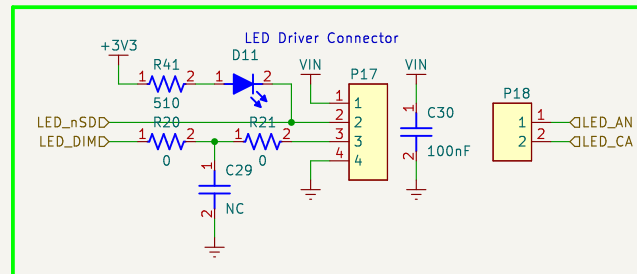
Title:		
Rev:	Sheet: A4	Sheet: 7/12
Date:	File: ledDriver.kicad_sch	





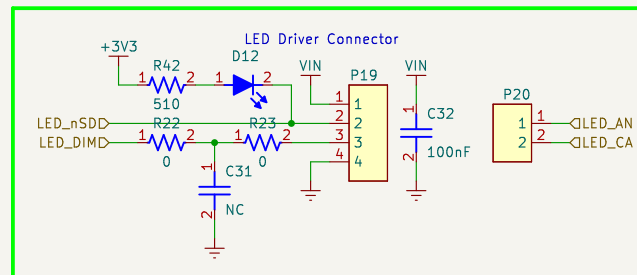
Title:		
Rev:	Sheet: A4	Sheet: 8/12
Date:	File: ledDriver.kicad_sch	





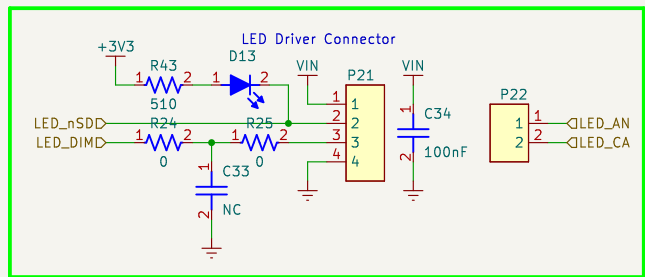
Title:		
Rev:	Sheet: A4	Sheet: 9/12
Date:	File: ledDriver.kicad_sch	





Title:		
Rev:	Sheet: A4	Sheet: 10/12
Date:	File: ledDriver.kicad_sch	





Title:		
Rev:	Sheet: A4	Sheet: 11/12
Date:	File: ledDriver.kicad_sch	



