

1

2

3

4

A

A

B

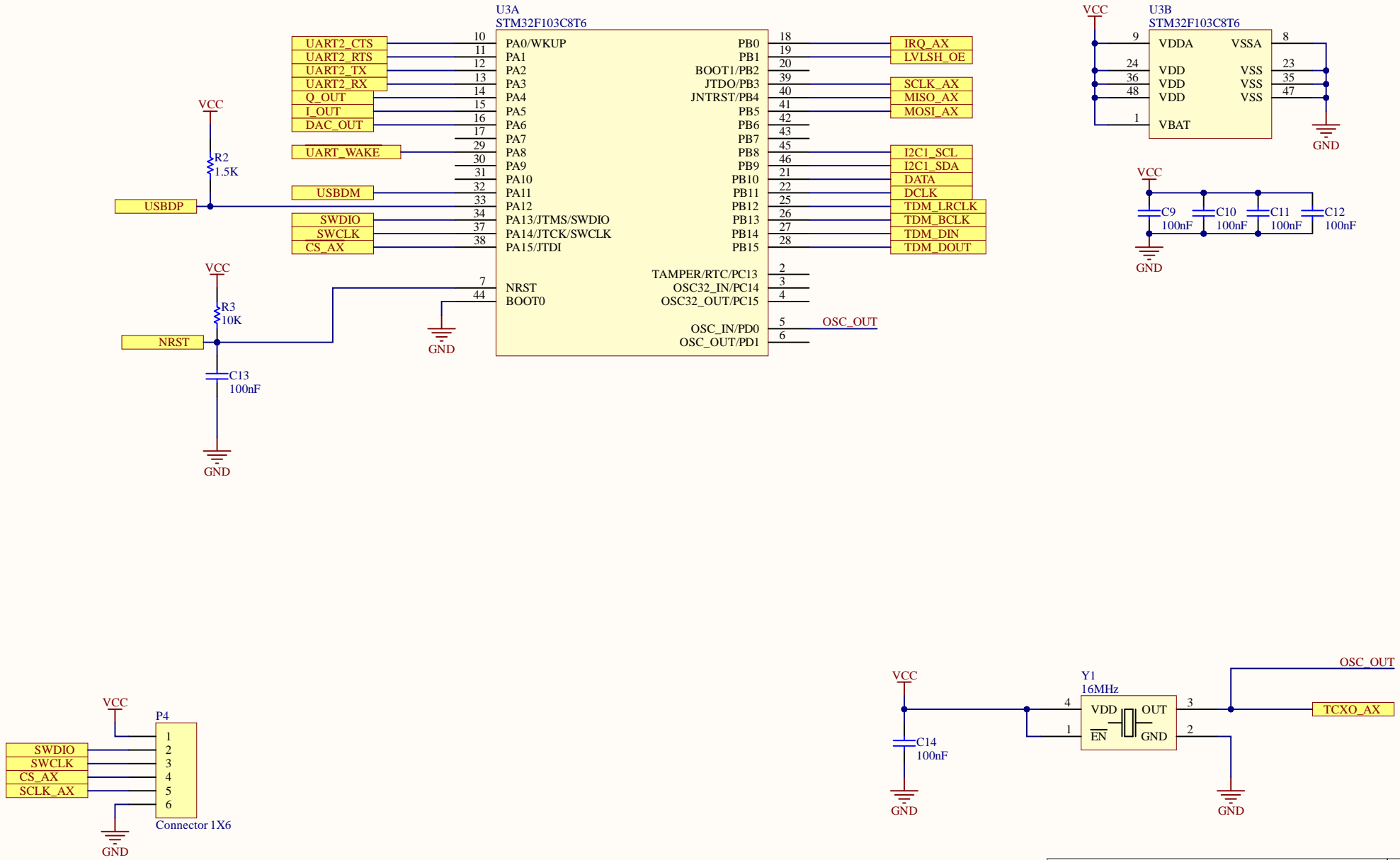
B

C

C

D

D



Title VUHF Radio M.2		
Size: A4	Number: 1	Revision: V1
Date: 05/09/2022	Time: 13:41:44	Sheet 1 of 3

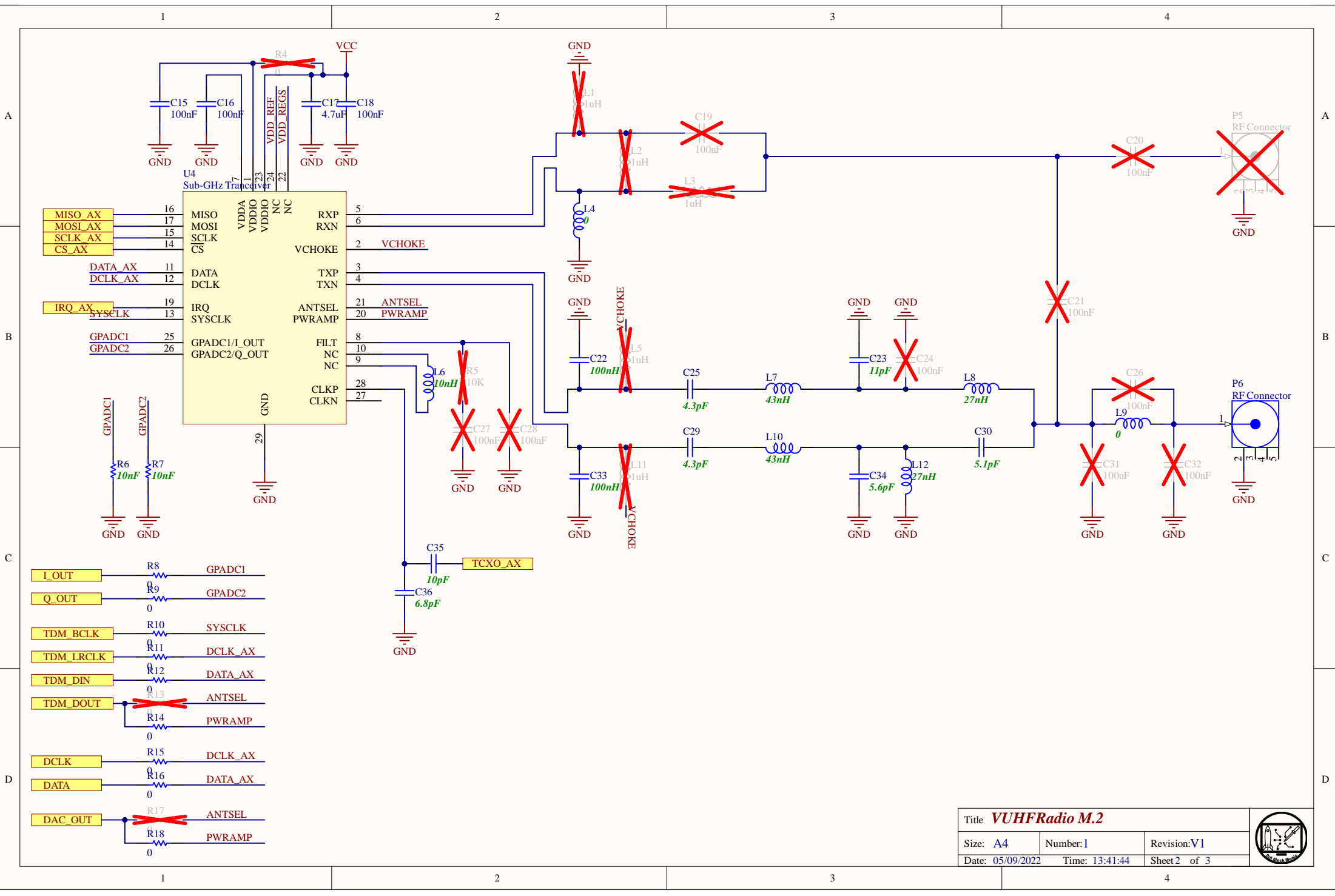


1

2

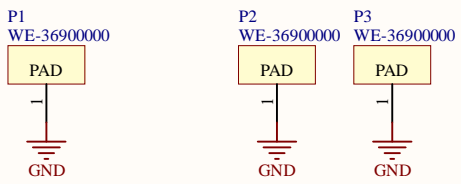
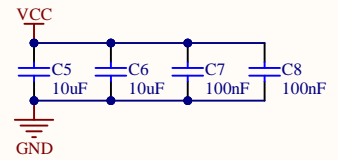
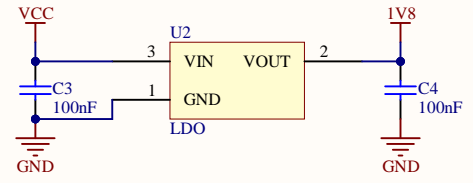
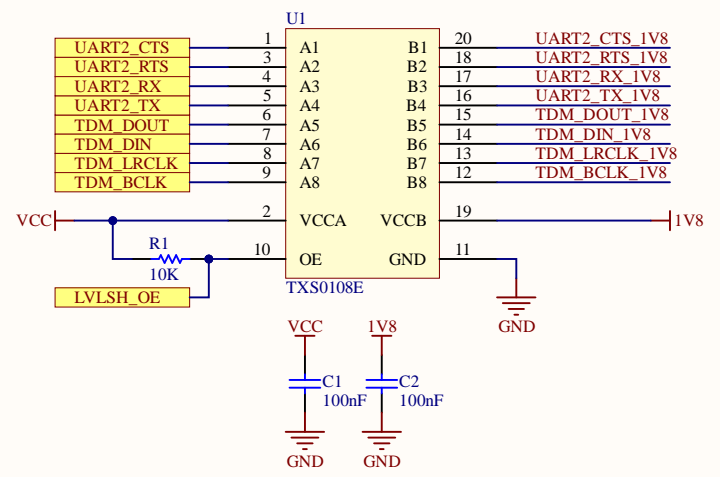
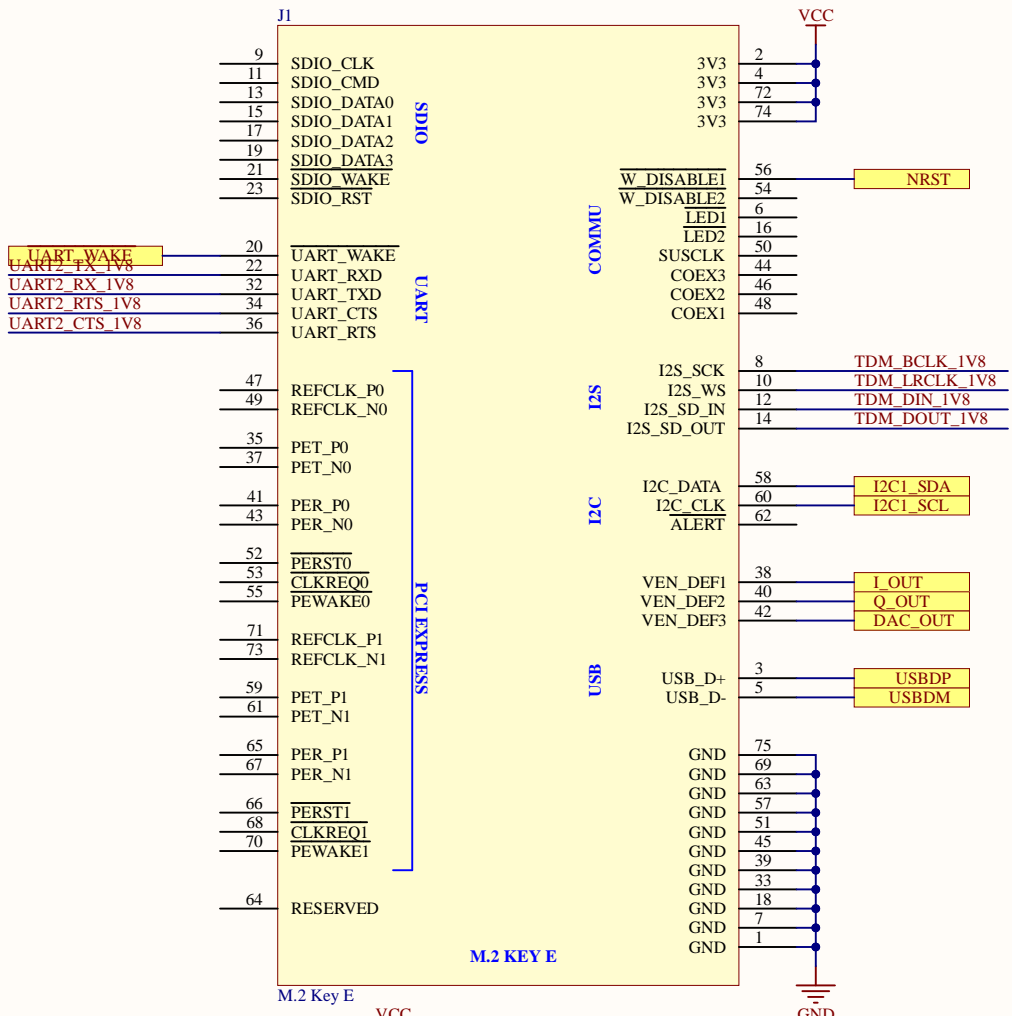
3

4



Title VUHF Radio M.2		
Size: A4	Number: 1	Revision: V1
Date: 05/09/2022	Time: 13:41:44	Sheet 2 of 3





Title: VUHF Radio M.2			
Size: A4	Number: 1	Revision: V1	
Date: 05/09/2022	Time: 13:41:44	Sheet 3 of 3	

1

2

3

4

1

2

3

4