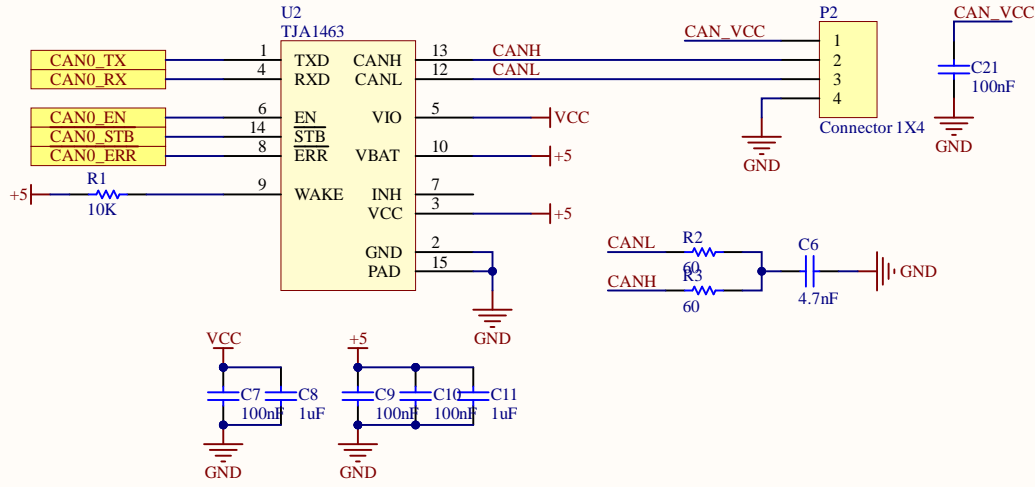
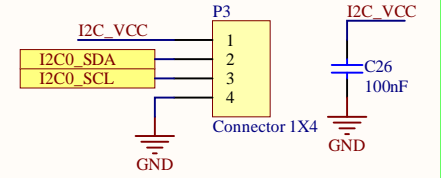


Title <b>Wheel Encoder (PX4)</b>			
Size: <b>A4</b>	Number: <b>1</b>	Revision: <b>V1</b>	
Date: <b>08/04/2023</b>	Time: <b>12:21:31</b>	Sheet <b>1</b> of <b>3</b>	

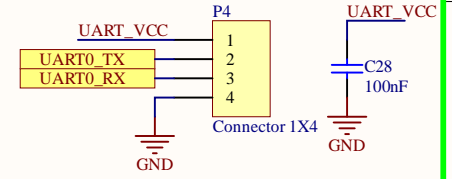
CAN Interface



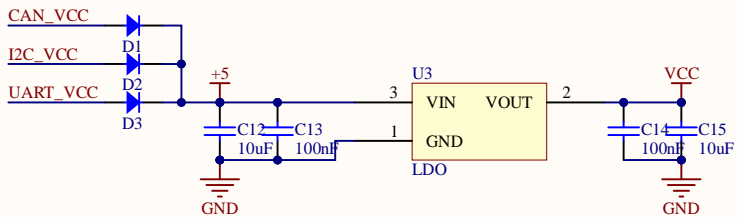
I2C Interface



UART Interface



Power Supply



Title <b>Wheel Encoder (PX4)</b>		
Size: A4	Number: 1	Revision: V1
Date: 08/04/2023	Time: 12:21:31	Sheet 2 of 3



